

ITT

Wastewater

Goulds Pumps

ST31 Submersible Sump/ Effluent Pump



FEATURES

- Corrosion-resistant construction.
- Cast iron body.
- Thermoplastic impeller and cover.
- Replaceable power cord.
- **Bearings:** Upper sleeve and lower heavy duty ball bearing construction.
- **Built-In Vent Hole:** Prevents air-binding with no added labor.
- Motor is permanently lubricated for extended service life and is powered for continuous operation. All ratings are within the working limits of the motor.
- Complete unit is heavy duty, portable and compact.
- Mechanical Seal: carbon/ceramic/Buna/stainless steel.
- Stainless steel fasteners and stainless steel pipe plug.

AGENCY LISTINGS



Goulds Pumps is a brand of ITT Corporation.

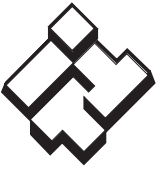
www.goulds.com

Engineered for life



Tested to UL 778 and
CSA 22.2 108 Standards
By Canadian Standards Association
File #LR38549

Goulds Pumps is ISO 9001 Registered.



ITT

GOULDS PUMPS Wastewater

APPLICATIONS

Specially designed for the following uses:

- Basement draining
- Water transfer
- Dewatering
- Effluent Transfer

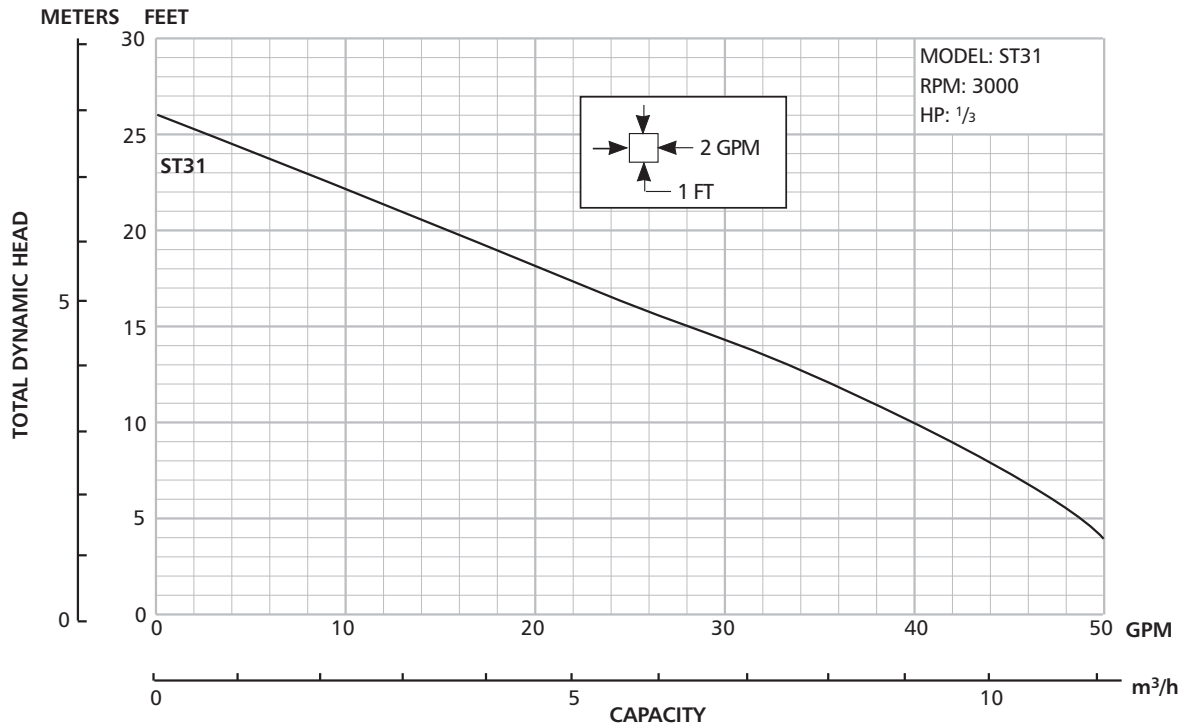
SPECIFICATIONS

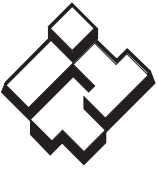
Pump:

- Discharge size: 1½" NPT
- Capacities: to 50 GPM.
- Maximum head: to 26 feet.
- Temperature: 104°F (40°C) maximum, continuous when completely submerged.
- Solids handling: ½" maximum sphere.
- Automatic models include a float switch.
- Manual model available.
- Pumping range: see performance chart or curve below.

MOTOR

- ST31: ⅓ HP, 115 V, 60 Hz, single phase, 3000 RPM, 12.0 amps maximum.
- Built-in thermal overload protection with automatic reset.
- Class B insulation.
- Oil filled design.
- High strength carbon steel shaft.
- Power cord: Quick disconnect 10 foot standard length, heavy duty 16/3 SJTW with NEMA 5-15 P three prong grounding plug, 115V.





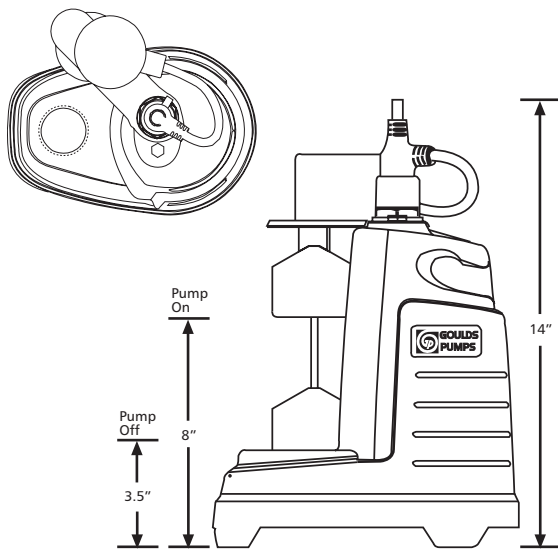
ITT

GOULDS PUMPS Wastewater

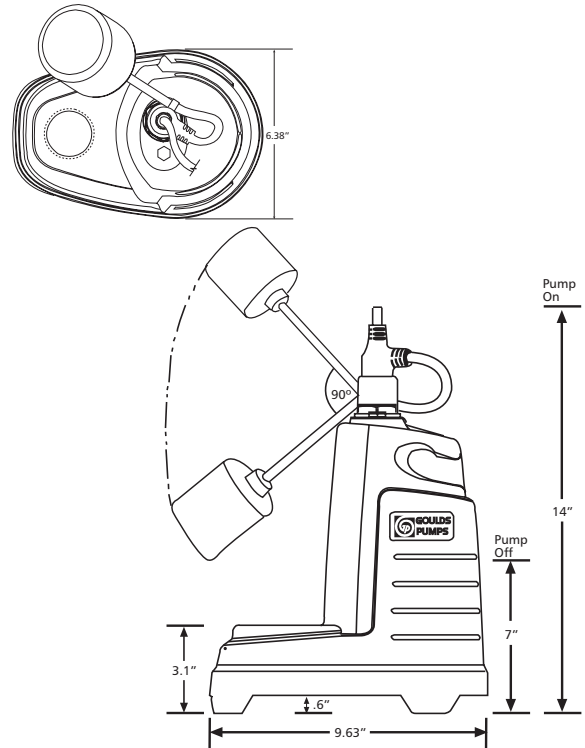
DIMENSIONS

(All dimensions are in inches. Do not use for construction purposes.)

Vertical Float Switch



Wide Angle Float Switch



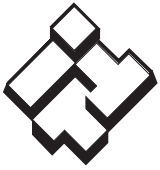
PERFORMANCE RATINGS

ST31

| Total Head (feet of water) | GPM | GPH |
|-------------------------------|-----|-------|
| 4 | 50 | 3,000 |
| 10 | 40 | 2,340 |
| 15 | 28 | 1,680 |
| 20 | 15 | 900 |

MODEL INFORMATION

| Order No. | HP | Volts | Amps | Minimum Circuit Breaker | Phase | Float Switch Style | Cord Length | Discharge Connection | Minimum On Level | Minimum Off Level | Minimum Basin Diameter | Maximum Solids Size | Shipping Weight lbs/kg |
|-----------|-----|-------|------|-------------------------|-------|----------------------|-------------|----------------------|------------------|-------------------|------------------------|---------------------|------------------------|
| ST31AV | 1/3 | 115 | 12.0 | 20 | 1 | Built-In Vertical | 10' | 1 1/2" | 8" | 3.5" | 11" | 1/2 | 29 / 13.2 |
| ST31A1 | | | | | | Built-In Wide Angle | | | 14" | 7" | 18" | | |
| ST31M | | | | | | Plug / No Switch | | | Manual | Manual | 11" | | |
| ST31P1 | | | | | | Piggyback Wide Angle | | | 14" | 7" | 18" | | |
| ST31PV | | | | | | Piggyback Vertical | | | 8" | 3.5" | 11" | | |



ITT

Wastewater



Goulds Pumps and the ITT Engineered Blocks Symbol are registered trademarks and tradenames of ITT Corporation.

SPECIFICATIONS ARE SUBJECT TO CHANGE WITHOUT NOTICE.

BST31 March, 2007

© 2007 ITT Corporation

Engineered for life