



# ITT

Wastewater

## Goulds Pumps

SDS1 Sink Drain System



### FEATURES

---

- Fully assembled (individually cartoned).
- Capable of running dry without damage to components.
- Severe duty rated oil and water resistant power cable.

### ASSEMBLED COMPONENTS

---

- EP0411, 0.4 HP,  $\frac{3}{4}$ " solids handling pump is CSA listed.
- CSA listed pump.
- A2H11 Vertimaster vertical level switch with 10 foot cord and piggyback plug is UL and CSA listed.
- 10 gallon structural foam basin and cover.
- $1\frac{1}{2}$ " NPT threaded vent, discharge and inlet connections.
- $1\frac{1}{2}$ " schedule 40 PVC discharge pipe (internal).

 **GOULDS PUMPS**

Goulds Pumps is a brand of ITT Corporation.

[www.goulds.com](http://www.goulds.com)

*Engineered for life*



# ITT

## Wastewater

### APPLICATIONS

- Laundry tray
- Wet bar sink
- Air conditioning condensate or dehumidifier water
- Residential dishwashers
- Beautician sink

### SPECIFICATIONS

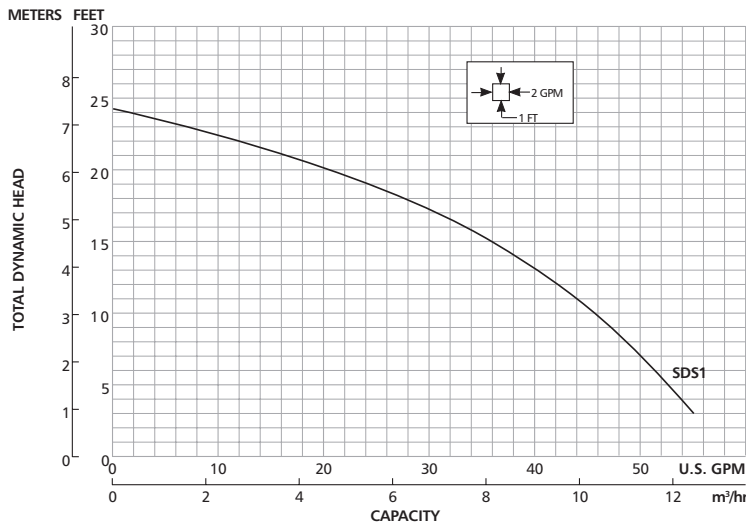
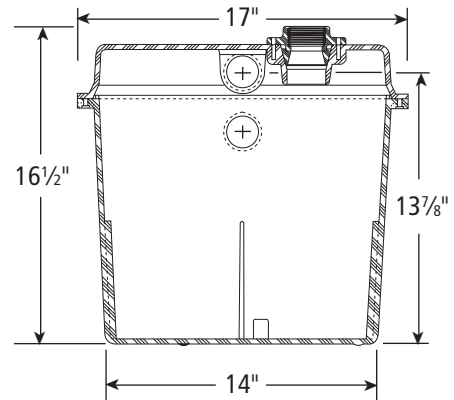
- 0.4 HP, 115 V, 1 PH, 1550 RPM, with 10' cord
- Maximum Amps: 12.
- 3/4" maximum solids handling.
- Capacities: up to 55 GPM.
- Total heads: up to 24 feet.
- Built in overload with automatic reset.

### PERFORMANCE RATINGS

Total Head (feet of water)	GPM
5	53
10	46
15	36
20	21
22.5	10

### DIMENSIONS

(All dimensions are in inches. Do not use for construction purposes.)



Goolds Pumps and the ITT Engineered Blocks Symbol are registered trademarks and tradenames of ITT Corporation.

SPECIFICATIONS ARE SUBJECT TO CHANGE WITHOUT NOTICE.

BSDS1 March, 2007  
© 2007 ITT Corporation

*Engineered for life*